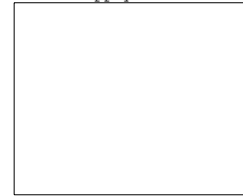




Power Supply



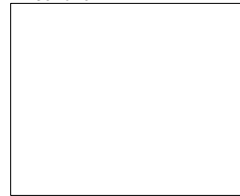
Piezo Driver




Scan Head



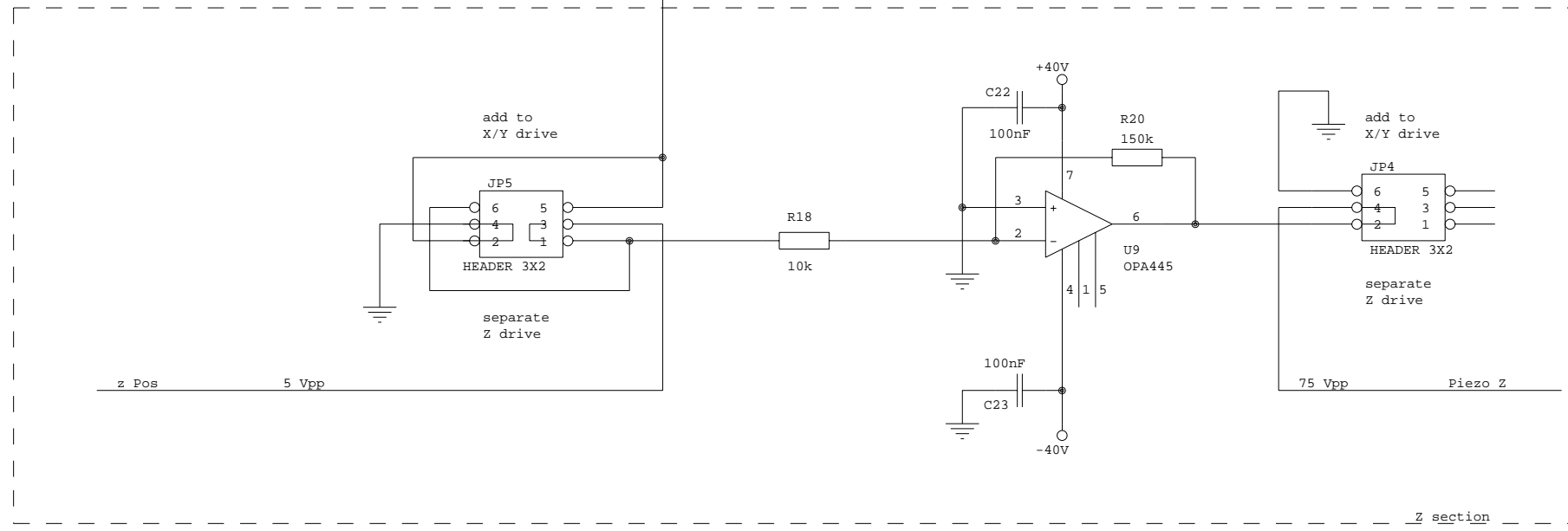
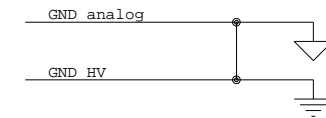
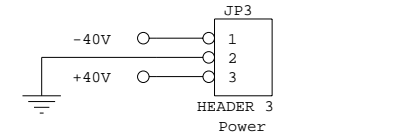
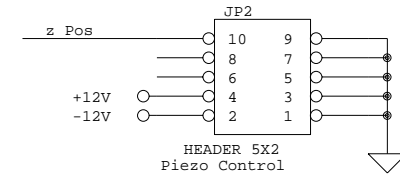
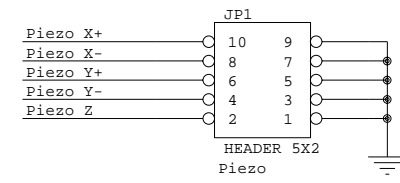
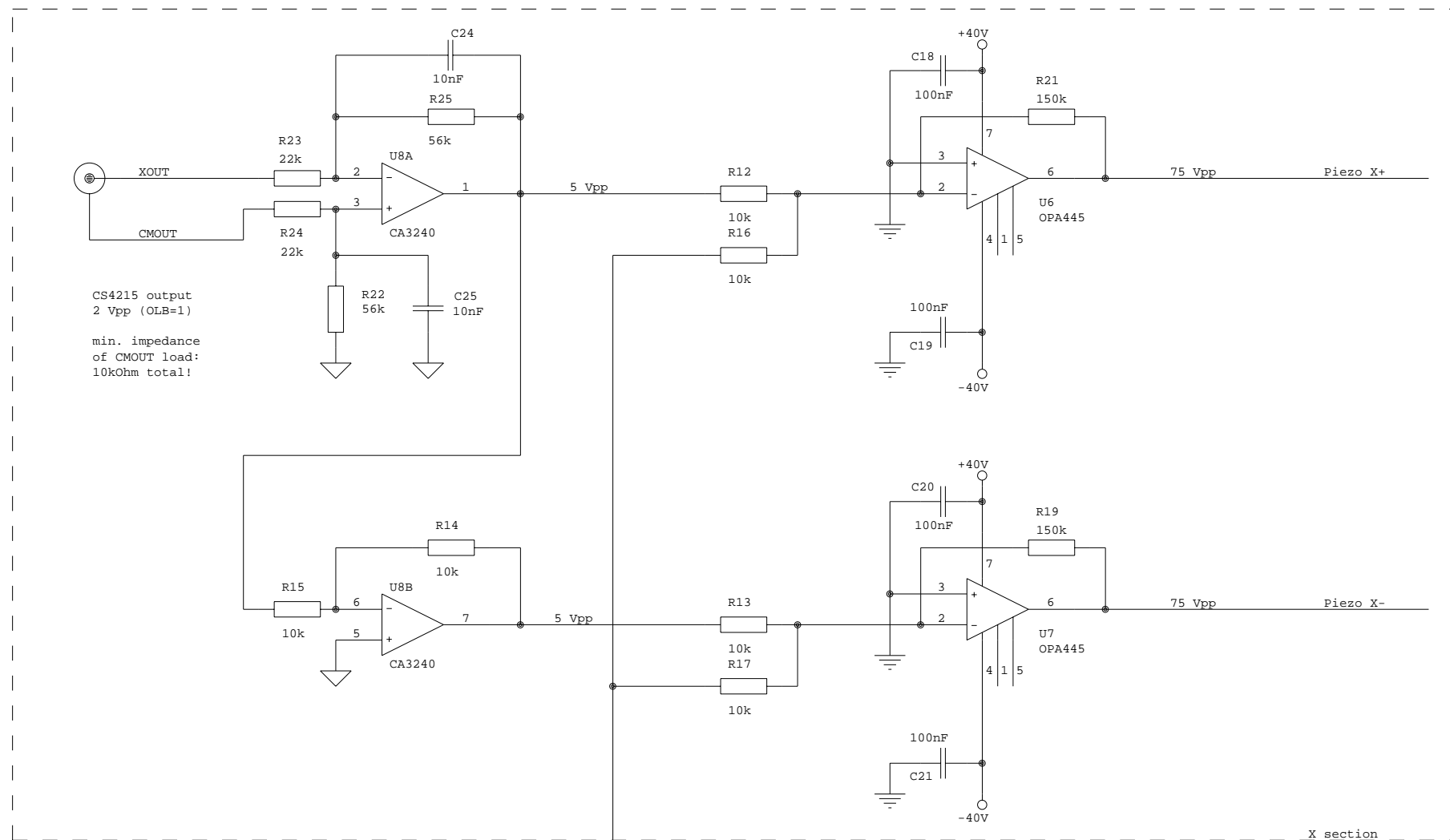
Z Control



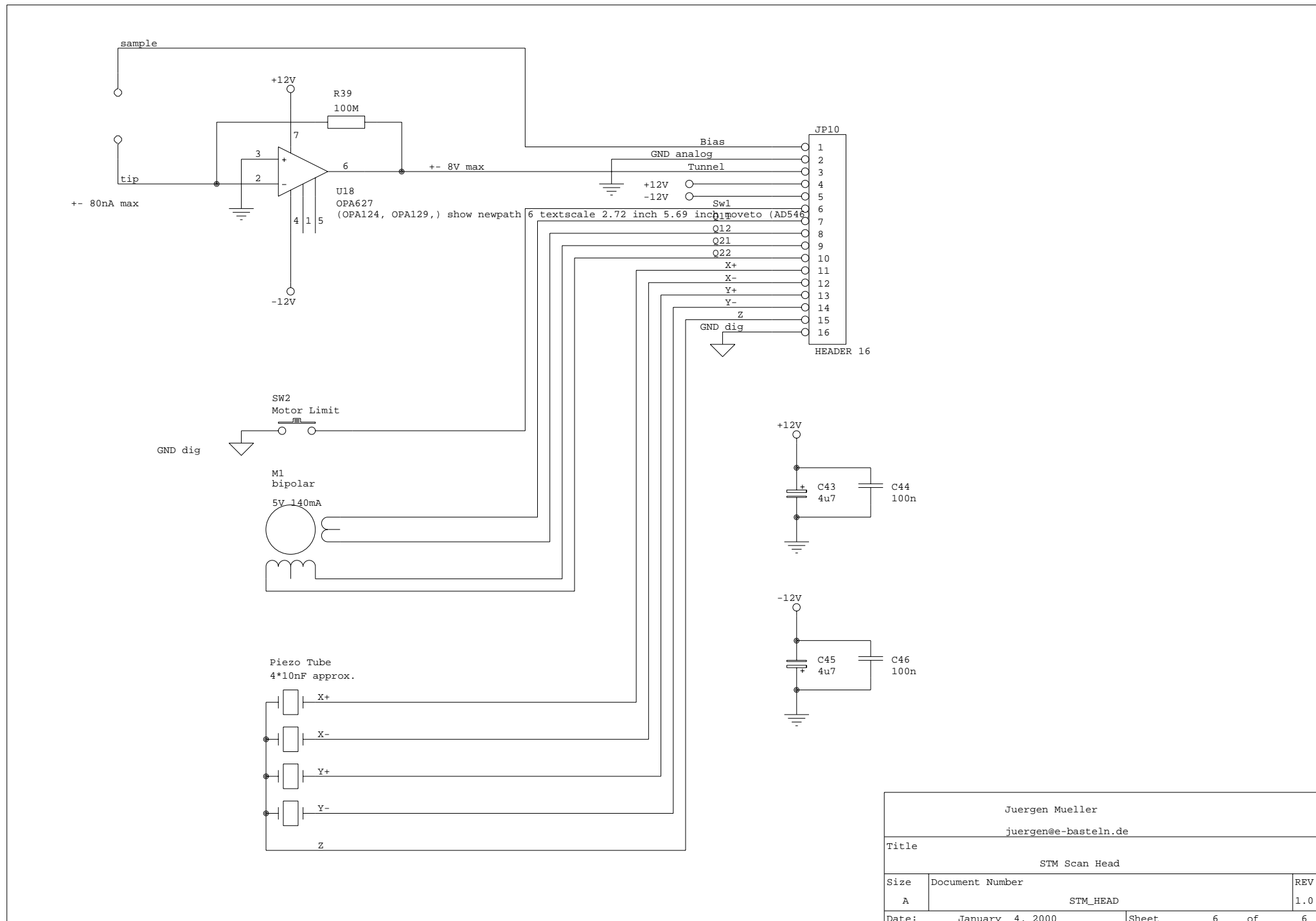
Stepper Control

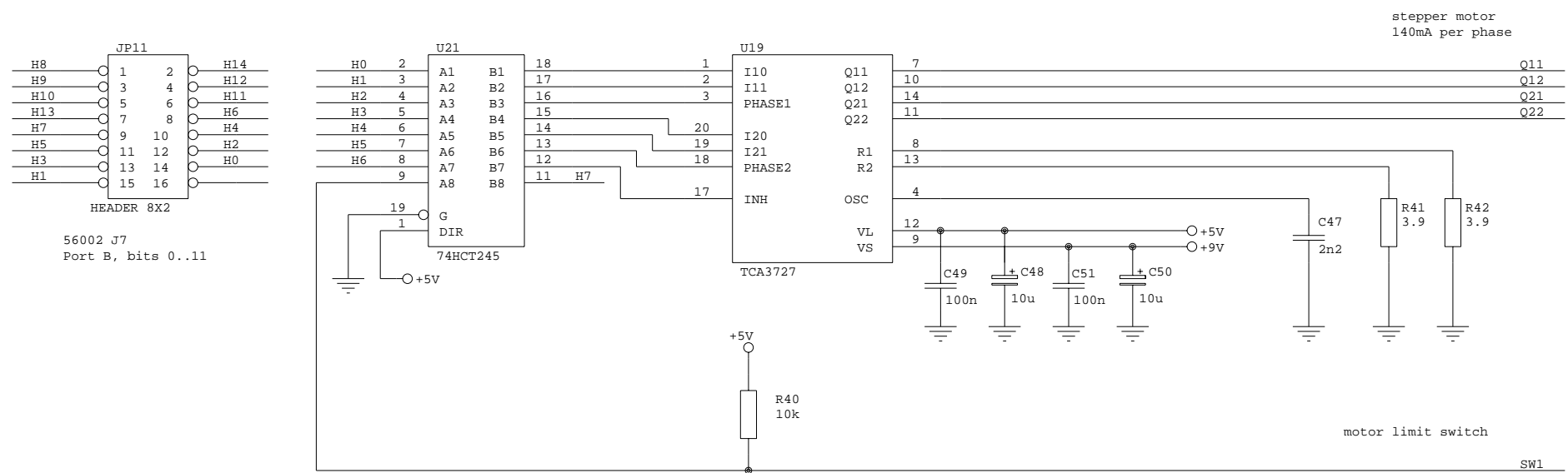


Juergen Mueller		
juergen.mueller@guenzler.de		
Title		
STM Overview		
Size	Document Number	REV
A	STM_ALL	1.0
Date:	February 28, 1999	Sheet 1 of 6

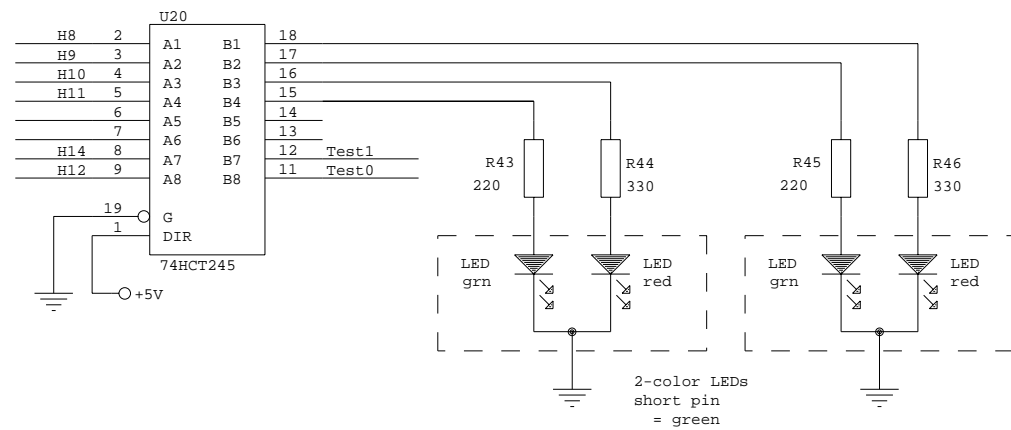
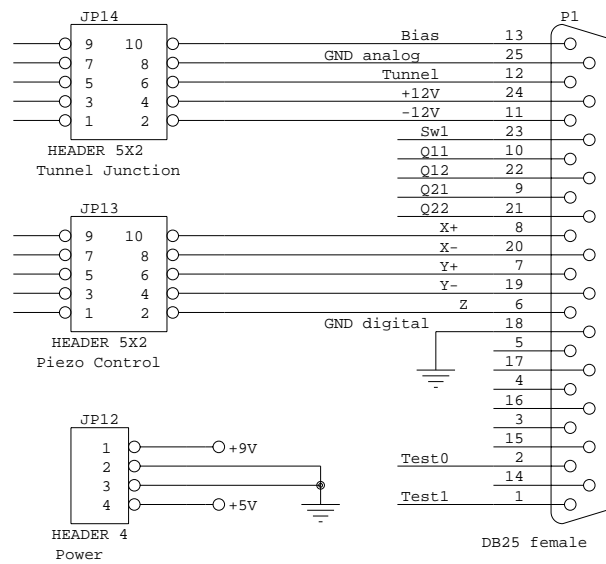


Juergen Mueller juergen@e-basteln.de		
Title STM Piezo Driver		
Size B	Document Number STM_DRV	REV 1.0
Date: December 4, 1999	Sheet 3	of 6





Ribbon cable used for wiring



Juergen Mueller		
juergen@e-basteln.de		
Title		
STM Stepper Controller and Front Panel		
Size	Document Number	REV
A	STM_STEP	1.0
Date:	January 9, 2000	Sheet 5 of 6